

The Window Merchants

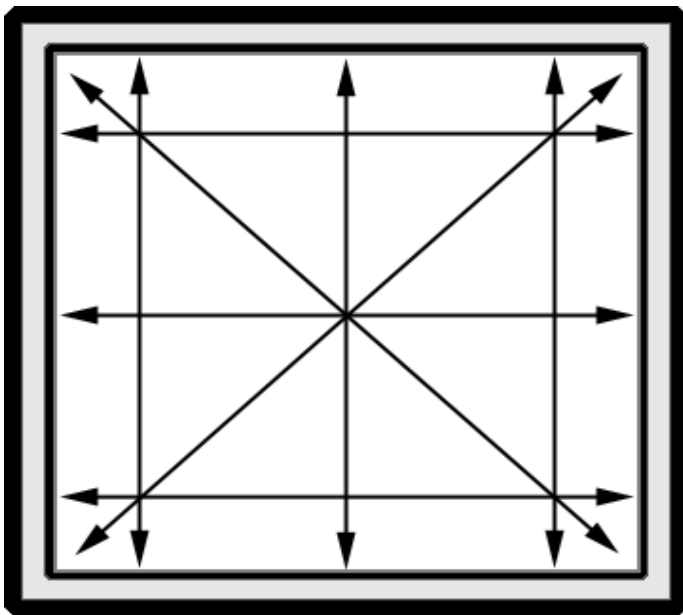
How to replace a window

Replacing a window can be done in 5 easy to follow steps:

- 1) Measure for the replacement window
- 2) Fixing the window
- 3) Glazing and packing
- 4) Finishing off and making good
- 5) Cleaning and maintenance

Step 1 – Measure for the replacement Windows

Before attempting to install a window or a door it is strongly recommended that every aperture is measured accurately. The diagram illustrates the measurements required to safeguard from ordering a window or door to incorrect measurements.



The Window Merchants

The height and width measurements should be taken at three points. (Height should be left, middle and right and the Width should be top, middle and bottom as shown in the diagram) These measurements are to be taken to the edge of the structure from the outside and then checked against the inside measurements to insure that there are no idiosyncrasies.

The replacement window should always be fitted square into the aperture. In instances where the gaps exceed the capabilities of a good Silicone joint then frame extensions or internal / external trims can be used .

It is important to check that the measurement between the internal and the external reveal sizes so that the new window will not be impeded by plaster, render or tiles etc. If the sizes vary by over 30mm then add-ons will be required.

The manufacturing sizes are 10mm width and 10mm height deduction from the opening sizes – it should be noted that for Woodgrain foiled profiles the deduction is 15mm in both width and height.

Step 2 – Fixing the window

All windows that are installed must be plumb, level and square with the aperture, without distortion of any frame member.

The correct window fixing is essential and all windows installed must be fixed to brick or block work or to an adjacent structure so that the window does not take any imposed loads, which will cause the window to bow.

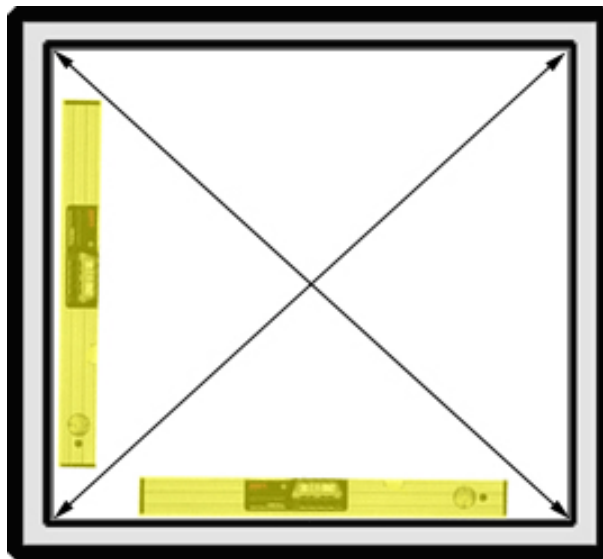
Fixing methods should allow for thermal movement, and will be influenced by:

- The presence of a wall cavity (with a cavity the window should sit in line with the internal of the external brick or block work).
- No cavity solid wall (the window will be set back further and will probably require a wider external cill of 180mm).

The Window Merchants

- The existing window line or the need to preserve the interior decoration (if the depth of the window you are replacing is smaller than the difference between the new window line and the internal house plaster line will need to be filled – this can be achieved by new plaster work or to trim against the window to the internal decoration which will preserve the internal decoration – please view trims available on our website).

Frame fixings (available from our Trade Counters at Weston and Bristol Depots) are drilled directly through the frame and into the wall, no rawl plugs are required, this makes fixing very easy and retains the position of the window so not to distort the frame.



It is important to ensure that the recommended fixing distances are followed as closely as possible, as many of the problems that subsequently arise with PVCu window and door set installations arise from incorrect fixing spacing.

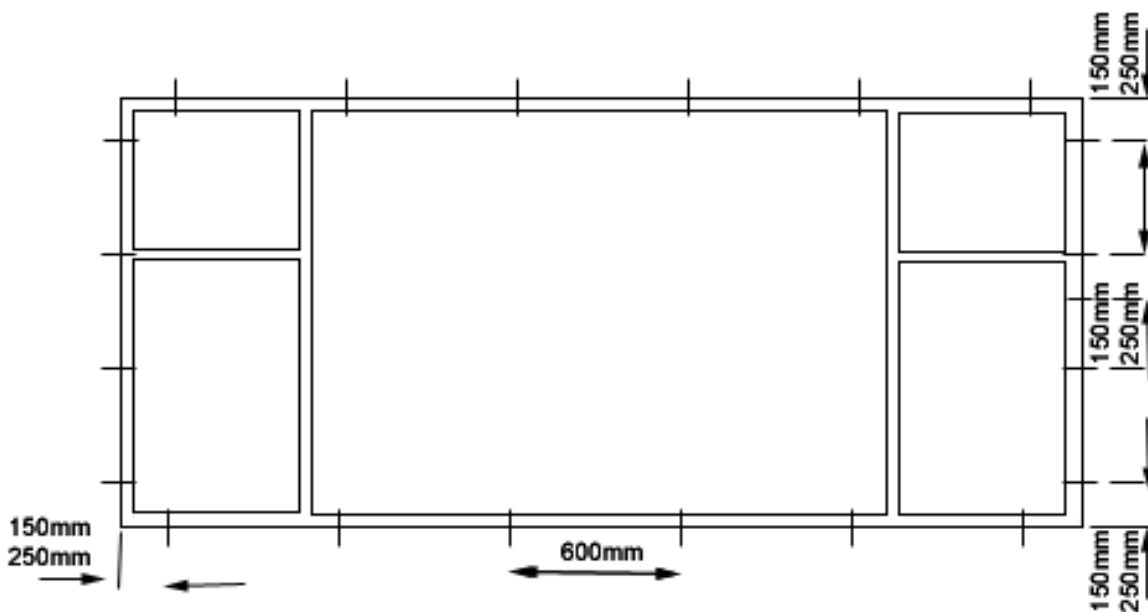
The Window Merchants

Generally all four sides of the frame should be secured, whenever possible, using the following recommended fixing distances:

Corner fixings should be a minimum of 150 mm and a maximum of 250 mm in from the corner.

All intermediate fixings should be at centers no greater than 600mm

There must be at least 2 fixings per frame jamb.

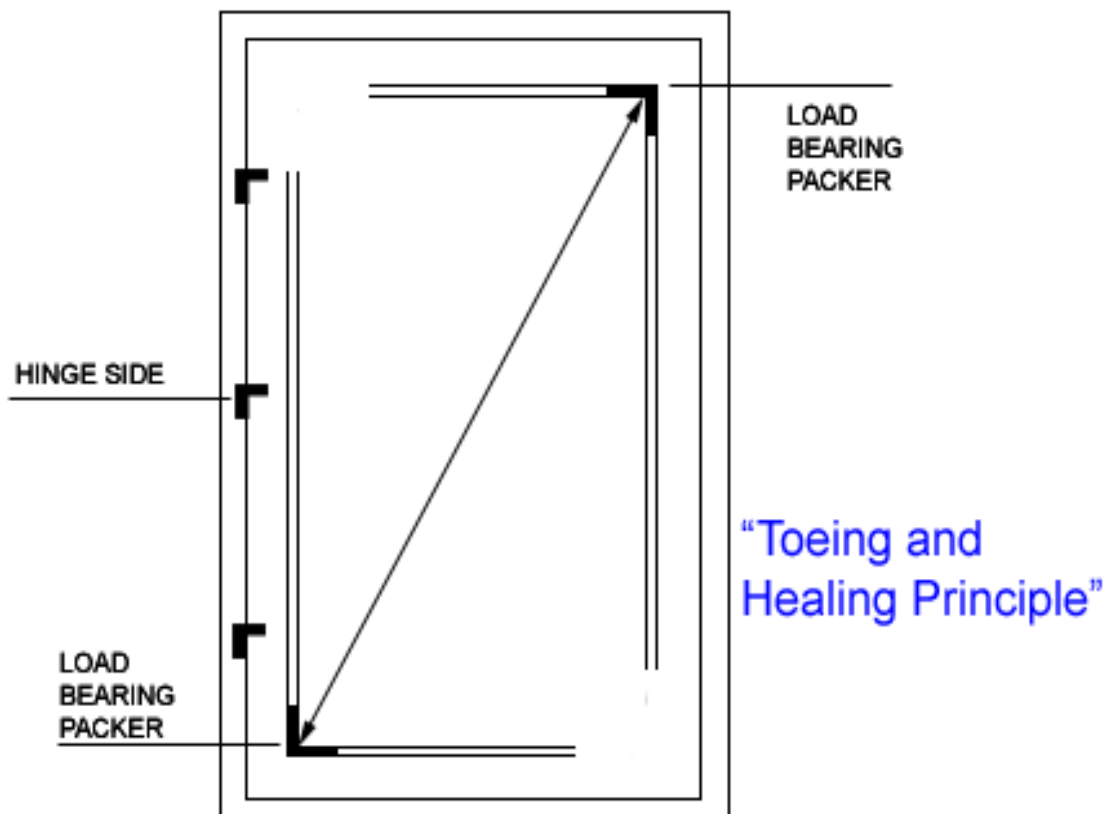


When fitting a door, ensure that the base of the door is level and in the upright position, only fix on the hinge side against the wall at this stage. Close the door sash up to the frame and insure that the frame is parallel with the door sash then fix the frame to that position

The Window Merchants

Step 3 – Glazing Packers

The use of glazing packers is essential to allow the windows or doors to function properly. The recommendations for packer locations must be followed on all side hung windows or doors, we call this principle 'Toe and Healed'.



The Window Merchants

With the door in the open position lift the handle and turn the key, the operation should be smooth this is how the operation should be when the door is closed and determine if the is packed and adjusted properly

Silicone 2 blue colour packers in the bottom corner of the hinge side and 2 packers in the top opposite corner of the door sash leave to dry.

Insert the glass into the rebate apply two beads temporarily to the left and the right side of the sash to stop the glass falling out but allow the glass to move during adjustments. Insert another 2 packers into the bottom corner hinge side, lifting the glass first with a glazing shovel, making sure that the glass units are fully supported by the packers.

In the diagonally opposite corner, using the glazing shovel, lever the glass down away from the top of the frame creating a gap, this will cause the sash to be lifted above the glass to insert another 2 packers. Close the door and check that the **sash weld line is slightly higher than the frame weld line.** The packers MUST be adjusted until the frame diagonals are right and different thickness packers may be used. It is recommended the packers are secured in the 'final' position with silicone to prevent them working loose during operation.

Step 4 – Finishing Off and Making Good

Every attempt should be made during installation to ensure that debris such as wet plaster does not block drainage paths nor impair the operation of hardware.

Internal reveals should be made good by either pvc trims or plaster finish, ready for redecoration. Foam can be used to fill voids between the frame and the opening but ensure that the cavity is not breached.

The Window Merchants

For sealing the internal plaster against the frame a flexible sealant which is paintable should be used, **for sealing the window to internal pvc trims use The Window Merchants Liquid plastic.** All protective films on the profiles are now removed. For perimeter finishing of the outside of the window to the structure use The Window Merchants silicone, allowing a flexible joint.

Step 5 – Cleaning and Maintenance

The pristine appearance of PVCu windows and doorsets is maintained by occasional cleaning with warm soapy water. The frequency of this cleaning will depend on the local conditions. **Locks and hinges should also be maintained using WD40. Products which stay wet like grease should never be used.** The cleaning of both gaskets and profile sections should be carried out periodically to maintain the appearance. Failure to do this will not affect the performance of the products, but will spoil their appearance. Stains that are not removable with soapy water may be removable using The Window Merchants cream or spirit cleaner.